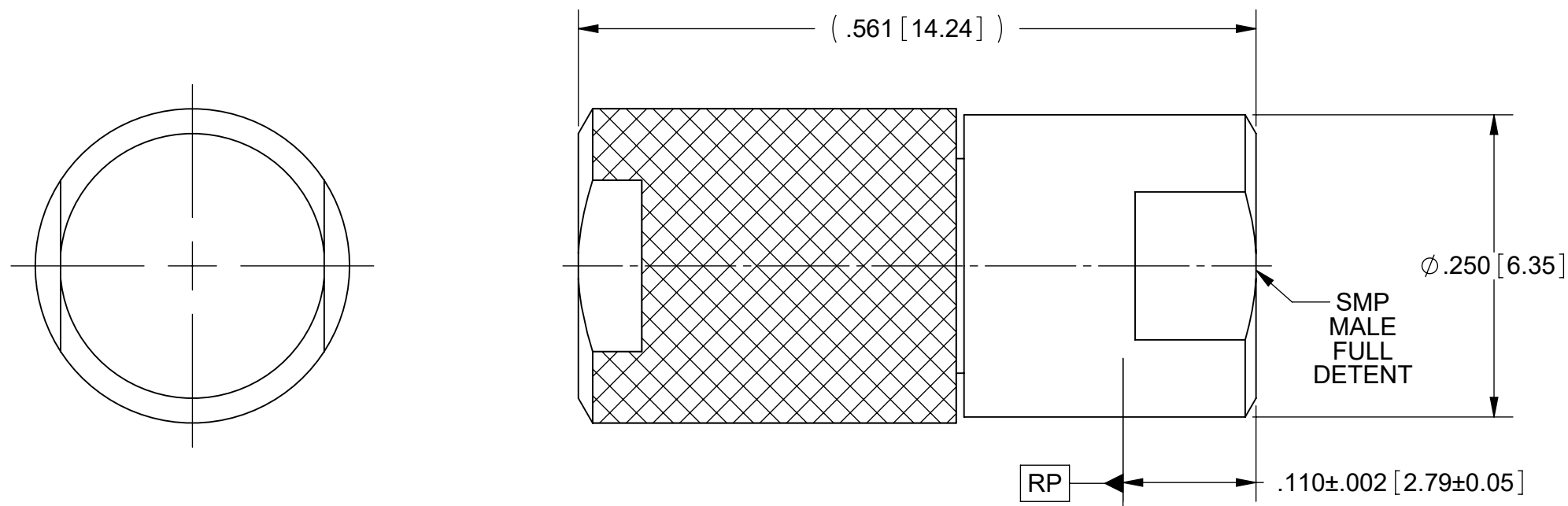


PRODUCT DATA DRAWING

REVISION HISTORY			
REV	DESCRIPTION	DATE	APPROVED
-	REL. DCN 35513	11/07	STW
A	REV.DCN 49034	05/06/19	STW



MATERIAL:

- BODIES & INSERT:** STAINLESS STEEL PER AMS-5640, ALLOY UNS S30300, TYPE 1 OR ASTM A582, TYP E303, CONDITION A.
- CONTACT:** BERYLLIUM COPPER PER ASTM B196, ALLOY No. UNS C17300, TD04.
- SLEEVE:** BRASS PER ASTM B16, ALLOY UNS No. C36000.
- INSULATOR:** PTFE PER ASTM D1710, TYPE I, GRADE 1, CLASS B.

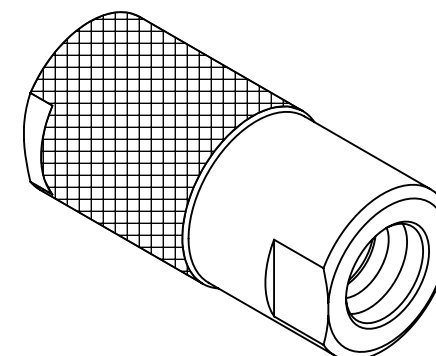
RESISTOR ELEMENT: ALUMINUM NITRIDE SUBSTRATE WITH TANTALUM NITRIDE RESISTOR & GOLD PLATED TERMINALS.

FINISH:

- BODIES & INSERT:** PASSIVATED PER AMS 2700, TYPE 2
- CONTACT:** GOLD PER ASTM B488, TYPE II, CODE C, CLASS 1.27 OVER NICKEL PER AMS-QQ-N-290, CLASS 1, .00005" MIN.

PERFORMANCE:

- IMPEDANCE:** 50 OHMS
- FREQ. RANGE:** DC TO 18.0 GHz
- VSWR:** 1.20:1 DC TO 15 GHz
1.25:1 15 TO 18 GHz
- OPERATING TEMP.:** -55°C TO +125°C
- AVG. POWER:** 0.5 WATT (POWER INPUT DERATED LINEARLY FROM 25°C TO .05 WATTS AT 125°C)
- PEAK POWER:** 100 WATTS (PEAK POWER FOR A DUTY CYCLE OF 5 X 10⁻⁴ MAXIMUM PULSE DURATION OF 5 MICROSECONDS.)



MATERIAL: SEE NOTES	DIMENSIONS ARE IN INCHES TOLERANCES: FRACTIONAL: ±1/64 ANGULAR: X° ±1'0" X'X' ±15'	UNLESS OTHERWISE SPECIFIED 1) ALL DIMENSIONS ARE IN INCHES (MILLIMETERS) 2) ALL DIMENSIONS ARE AFTER PLATING. 3) BREAK CORNERS & EDGES .005 R. MAX. 4) CHAM. 1ST & LAST THREADS. 5) SURFACE ROUGHNESS 63-MIL-STD-10. 6) DIA.'S ON COMMON CENTERS TO BE CONCENTRIC WITHIN .005 T.I.R. 7) REMOVE ALL BURRS	SV Microwave, Inc. 2400 Centrepark West Drive, Suite 100 West Palm Beach, FL 33409
FINISH: SEE NOTES	DECIMAL: X ±.030 .XX ±.010 .XXX ±.005	INTERPRET DIMENSIONS AND TOLERANCES PER ASME Y14.5M - 1994	TITLE: SMP FULL DETENT MALE TERMINATION
SURFACE AREA: N/A	THIRD ANGLE PROJECTION	DRAWN: ADK 11/09/07	SIZE: B CAGE CODE: 95077 DWG. NO.: SF8012-6009
PROPRIETARY THE INFORMATION CONTAINED IN THIS DRAWING IS THE SOLE PROPERTY OF SV MICROWAVE, INC. ANY REPRODUCTION IN PART OR AS A WHOLE WITHOUT THE WRITTEN PERMISSION OF SV MICROWAVE, INC IS PROHIBITED.		CHECKED: STW 11/09/07 APPROVED: STW 11/09/07	SCALE: 8:1 SHEET 1 OF 1