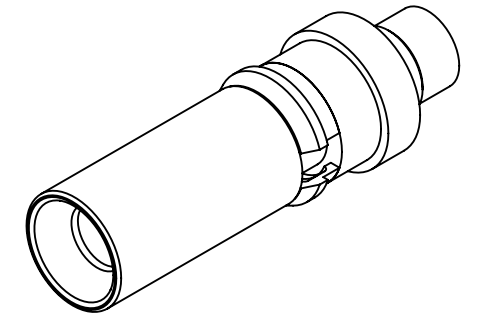
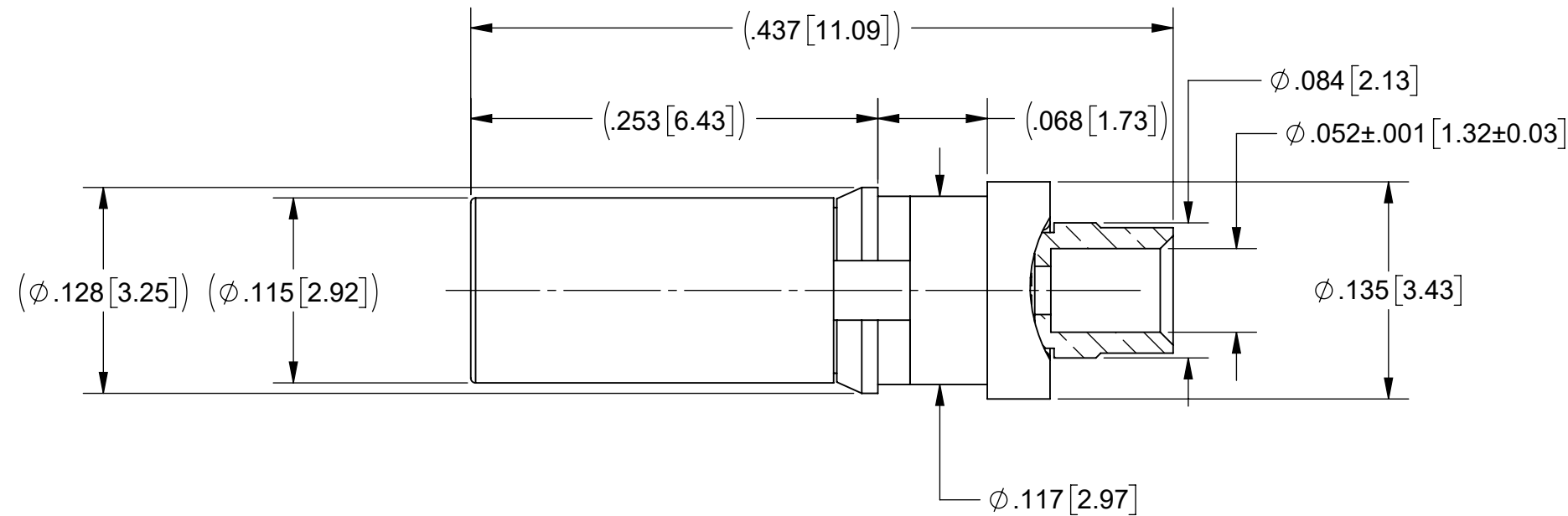


# PRODUCT DATA DRAWING

REVISION HISTORY			
REV	DESCRIPTION	DATE	APPROVED
B	DCN 58041	09/25	SEE PDM




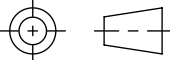
- MATERIAL:**
- BODY & SHROUD:** STAINLESS STEEL PER AMS 5640, ALLOY UNS S30300, TYPE 1 OR ASTM A582 TYPE 303, CONDITION A.
- CONTACT, FERRULE & RETAINING RING:** BERYLLIUM COPPER PER ASTM B196, ALLOY No. UNS C17300, TD04.
- INSULATOR:** PTFE PER ASTM D1710, TYPE I, GRADE 1, CLASS B.
- FINISH:**
- BODY & SHROUD:** PASSIVATED PER AMS 2700.
- CONTACT & FERRULE:** GOLD PER ASTM B488, TYPE II, CODE C, CLASS 1.27 OVER NICKEL PER AMS-QQ-N-290, CLASS 1, .000050"MIN.
- RETAINING RING:** NICKEL PER AMS-QQ-N-290, CLASS 1, GRADE G

**NOTE:**  
 1. THIS SMPS GEN2 PLUG-IN CONTACT WILL NOT FIT INTO LEGACY GEN1 MODULES. THIS CONTACT IS DESIGNED FOR 9311-60320 AND IS RECOMMENDED FOR NEW DESIGNS. WHEN THIS CONTACT IS INSTALLED IN A GEN2 MODULE, IT WILL MATE TO EITHER GEN1 OR GEN2 POPULATED BACKPLANE ASSEMBLIES. CONTACT APPLICATIONS@SVMICRO.COM FOR A MORE INFORMATION.

**PERFORMANCE:**

**IMPEDANCE:** 50 OHMS

**FREQ. RANGE:** DC TO 67.0 GHz

MATERIAL:	SEE NOTES	DIMENSIONS ARE IN INCHES TOLERANCES:	UNLESS OTHERWISE SPECIFIED	 www.svmicrowave.com
FINISH:	SEE NOTES	FRACTIONAL: $\pm 1/64$ ANGULAR: X° $\pm 1'0''$ X'X' $\pm 15''$	1) ALL DIMENSIONS ARE IN INCHES (MILLIMETERS) 2) ALL DIMENSIONS ARE AFTER PLATING. 3) BREAK CORNERS & EDGES .005 R. MAX. 4) CHAM. 1ST & LAST THREADS. 5) SURFACE ROUGHNESS 63-MIL-STD-10. 6) DIA. 'S ON COMMON CENTERS TO BE CONCENTRIC WITHIN .005 T.I.R. 7) REMOVE ALL BURRS	TITLE:
SURFACE AREA:	N/A	DECIMAL: X $\pm .030$ .XX $\pm .010$ .XXX $\pm .005$	INTERPRET DIMENSIONS AND TOLERANCES PER ASME Y14.5M - 1994	SMPS VITA 67.3 PIN CONTACT FOR $\phi .047$ CABLE
<b>PROPRIETARY</b>		<b>THIRD ANGLE PROJECTION</b>		SIZE DWG. NO.
THE INFORMATION CONTAINED IN THIS DRAWING IS THE SOLE PROPERTY OF SV MICROWAVE, INC. ANY REPRODUCTION IN PART OR AS A WHOLE WITHOUT THE WRITTEN PERMISSION OF SV MICROWAVE, INC IS PROHIBITED.				<b>B</b> 3811-60094
		DRAWN: JMC 06/005/24		SCALE: 10:1
		CHECKED: SEE PDM		SHEET 1 OF 1
		APPROVED: SEE PDM		