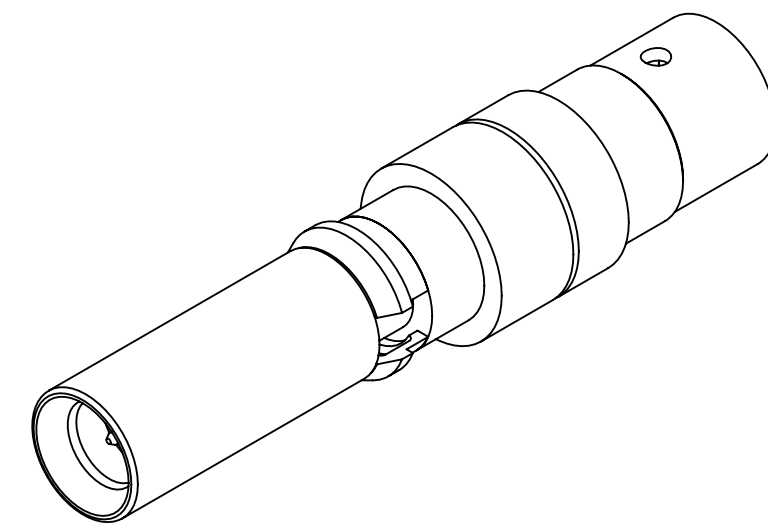
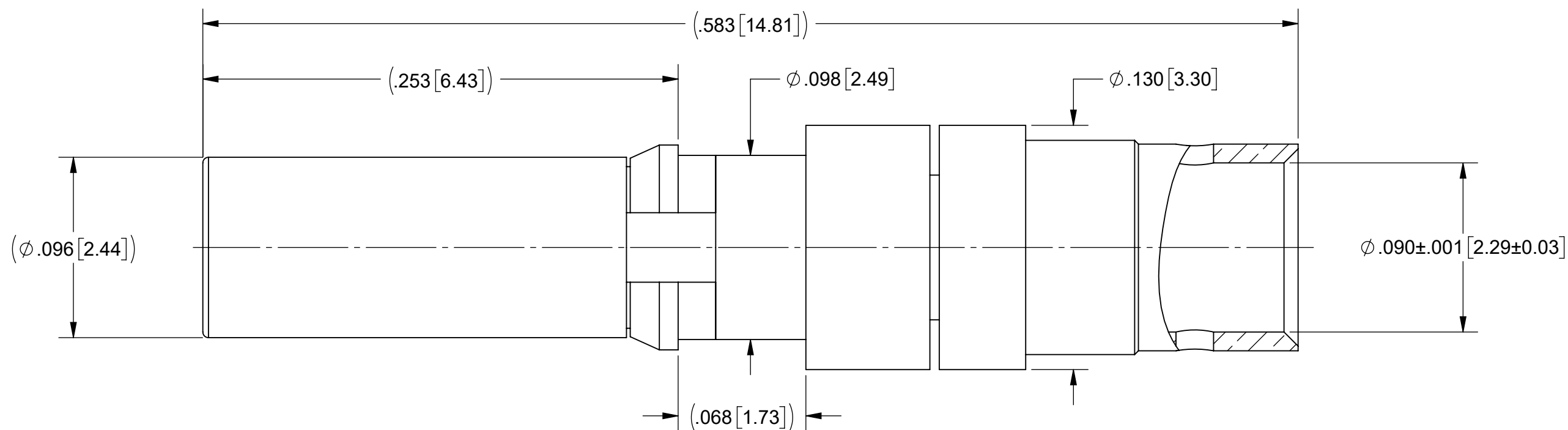


PRODUCT DATA DRAWING

| REVISION HISTORY | | | |
|------------------|-------------|-------|----------|
| REV | DESCRIPTION | DATE | APPROVED |
| - | DCN 49087 | 06/19 | SEE PDM |
| A | DCN 49405 | 10/19 | |
| B | DCN 52388 | 03/23 | |



MATERIAL:

BODY & SHROUD: STAINLESS STEEL PER AMS-5640, ALLOY UNS S30300, TYPE 1; OR ASTM A582 TYPE 303, COND. A

CONTACT, FERRULE & RETAINING RING: BERYLLIUM COPPER PER ASTM B196, ALLOY No. UNS C17300, TD04

INSULATOR: PTFE PER ASTM D1710, TYPE I, GRADE 1, CLASS B

FINISH:

BODY & SHROUD: PASSIVATED PER AMS-2700

CONTACT & FERRULE: GOLD PER ASTM B488, TYPE II, CODE C, CLASS 1.27, OVER NICKEL PER AMS-QQ-N-290, CLASS 1, .00005"MIN.


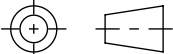
RETAINING RING: NICKEL PER AMS-QQ-N-290, CLASS 1, GRADE G

PERFORMANCE:

IMPEDANCE: 50 OHMS
FREQ. RANGE: DC TO 67.0 GHz

NOTES:

- FOR USE WITH SV MICROWAVE VITA 67.3 SMPS PLUG-IN MODULES.

| | | | |
|---|--|--|--|
| MATERIAL: SEE NOTES | DIMENSIONS ARE IN INCHES TOLERANCES: FRACTIONAL: ±1/64 ANGULAR: X° ±1'0" X'X' ±15' | UNLESS OTHERWISE SPECIFIED 1) ALL DIMENSIONS ARE IN INCHES (MILLIMETERS) 2) ALL DIMENSIONS ARE AFTER PLATING. 3) BREAK CORNERS & EDGES .005 R. MAX. 4) CHAM. 1ST & LAST THREADS. 5) SURFACE ROUGHNESS 63-MIL-STD-10. 6) DIA. 'S ON COMMON CENTERS TO BE CONCENTRIC WITHIN .005 T.I.R. 7) REMOVE ALL BURRS |  TITLE: SMPS VITA 67.3 PIN CONTACT FOR Ø.086 CABLE |
| FINISH: SEE NOTES | DECIMAL: X ±.030 .XX ±.010 .XXX ±.005 | INTERPRET DIMENSIONS AND TOLERANCES PER ASME Y14.5M - 1994 | |
| SURFACE AREA: N/A | THIRD ANGLE PROJECTION | DRAWN: SJ 06/03/19 | SIZE DWG. NO. SF3811-60059 |
| PROPRIETARY THE INFORMATION CONTAINED IN THIS DRAWING IS THE SOLE PROPERTY OF SV MICROWAVE, INC. ANY REPRODUCTION IN PART OR AS A WHOLE WITHOUT THE WRITTEN PERMISSION OF SV MICROWAVE, INC IS PROHIBITED. |  | CHECKED: SEE PDM | SCALE: 16:1 |
| | | APPROVED: SEE PDM | SHEET 1 OF 1 |