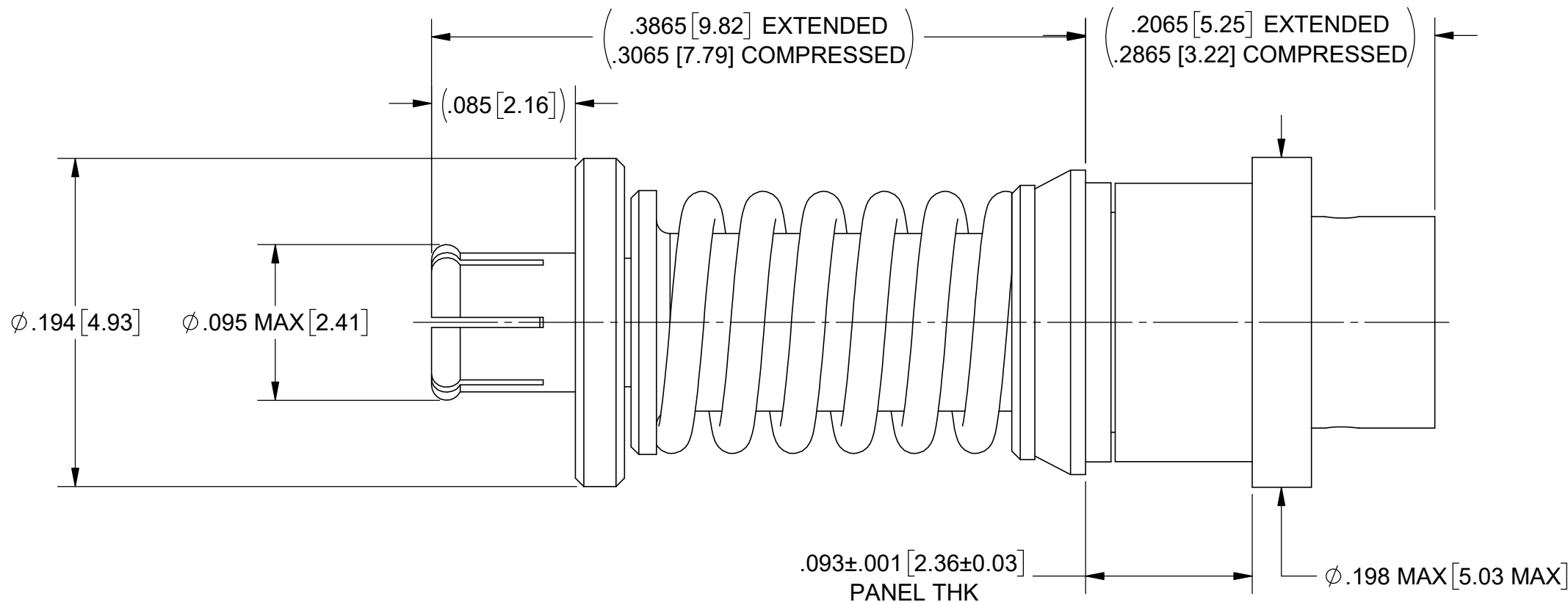
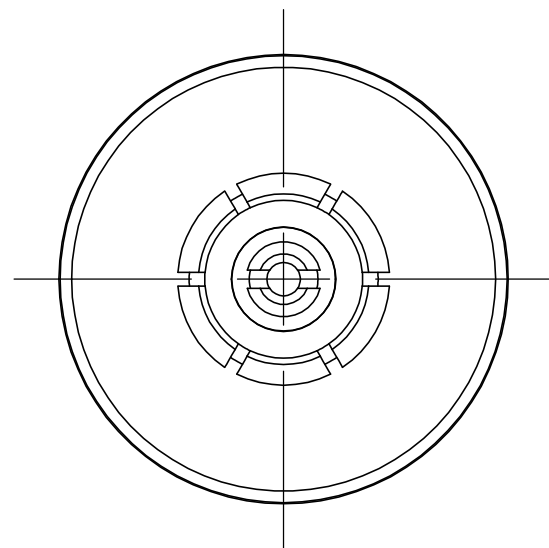
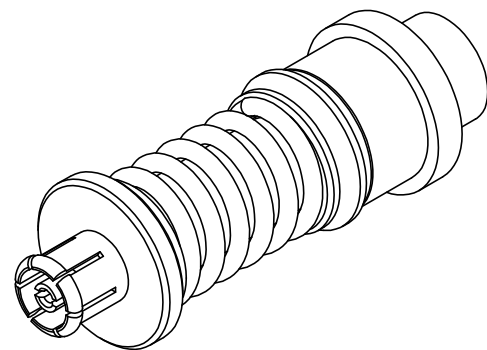


# PRODUCT DATA DRAWING

REVISION HISTORY			
REV	DESCRIPTION	DATE	APPROVED
C	DCN 56205	01/25	SEE PDM



**MATERIAL:**

**BODIES & CONTACTS:** BERYLLIUM COPPER PER ASTM B196, ALLOY No. UNS C17300, TD04

**INSULATORS:** PTFE PER ASTM D1710, TYPE I, GRADE 1, CLASS B

**SPRING & SLEEVE:** STAINLESS STEEL PER AMS-5678, ALLOY UNS S17700

**FINISH:**

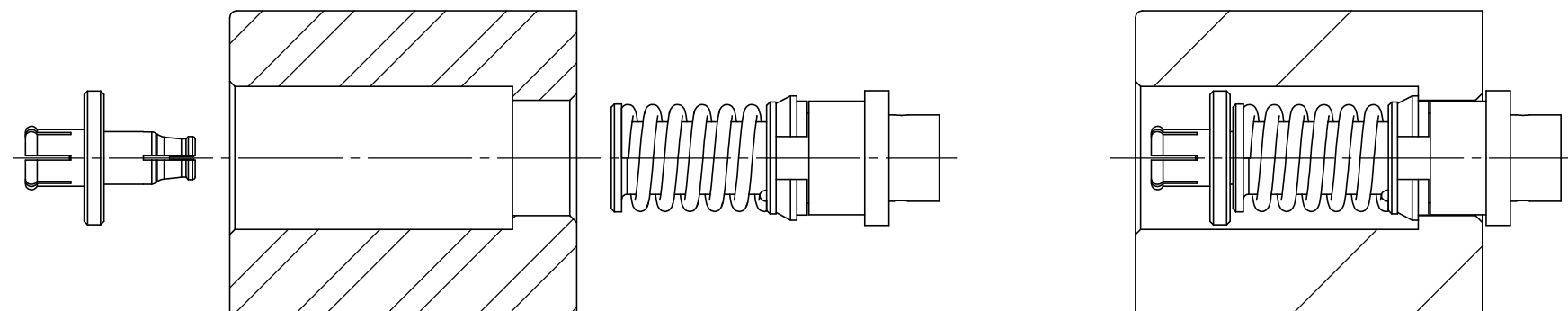
**BODIES & CONTACTS:** GOLD PER ASTM B488, TYPE II, CODE C, CLASS 1.27, OVER NICKEL PER AMS-QQ-N-290, CLASS 1, .00005" MIN.

**SPRING:** PASSIVATED PER ASTM A967

**PERFORMANCE:**

**IMPEDANCE:** 50 OHMS  
**FREQ. RANGE:** DC TO 40.0 GHZ.  
**VSWR:** 1.40:1 MAX, DC TO 40.0 GHZ.  
**INSERTION LOSS:** .65 dB MAX, DC TO 40.0 GHZ.  
**OPERATING TEMP.:** -65°C TO +165°C

FOR USE IN VITA 67.3 BACKPLANE MODULE  
 REMOVAL TOOL P/Ns 500-32-007, 500-32-015, & 500-32-034



MATERIAL:	SEE NOTES
FINISH:	SEE NOTES
SURFACE AREA:	N/A
<b>PROPRIETARY</b>	
THE INFORMATION CONTAINED IN THIS DRAWING IS THE SOLE PROPERTY OF SV MICROWAVE, INC. ANY REPRODUCTION IN PART OR AS A WHOLE WITHOUT THE WRITTEN PERMISSION OF SV MICROWAVE, INC IS PROHIBITED.	

DIMENSIONS ARE IN INCHES TOLERANCES:	
FRACTIONAL:	$\pm 1/64$ ANGULAR: X° $\pm 1'0''$ X'X' $\pm 15''$
DECIMAL:	X $\pm .030$ .XX $\pm .010$ .XXX $\pm .005$
INTERPRET DIMENSIONS AND TOLERANCES PER ASME Y14.5M - 1994	
<b>THIRD ANGLE PROJECTION</b>	

UNLESS OTHERWISE SPECIFIED	
1) ALL DIMENSIONS ARE IN INCHES (MILLIMETERS) 2) ALL DIMENSIONS ARE AFTER PLATING 3) BREAK CORNERS & EDGES .005 R. MAX. 4) CHAM. 1ST & LAST THREADS. 5) SURFACE ROUGHNESS 63-MIL-STD-10. 6) DIA. 'S ON COMMON CENTERS TO BE CONCENTRIC WITHIN .005 T.I.R. 7) REMOVE ALL BURRS	
DRAWN:	ELA 02/15/17
CHECKED:	SEE PDM
APPROVED:	SEE PDM

TITLE: VITA 67.3 BACKPLANE CONTACT FOR Ø.085 CABLE	
SIZE DWG. NO.	3221-40066
SCALE: 12:1	SHEET 1 OF 1