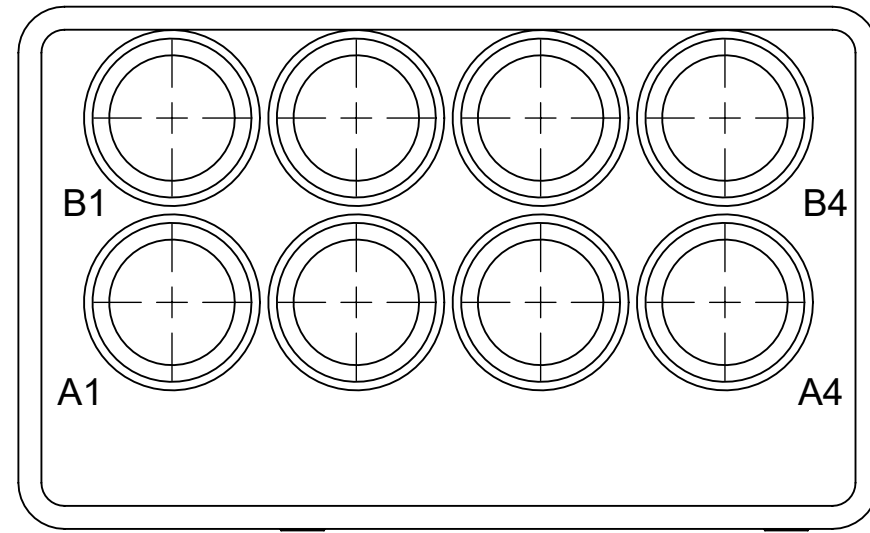
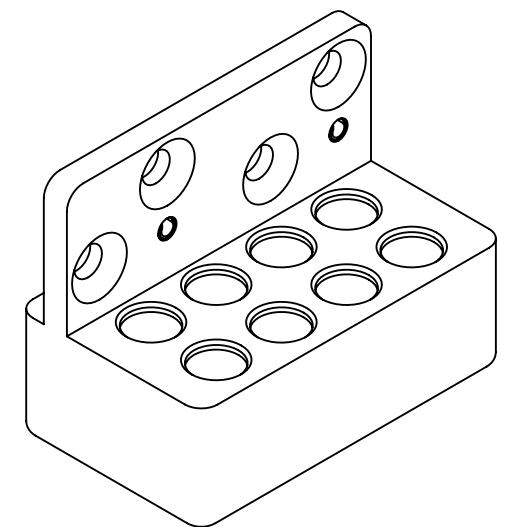
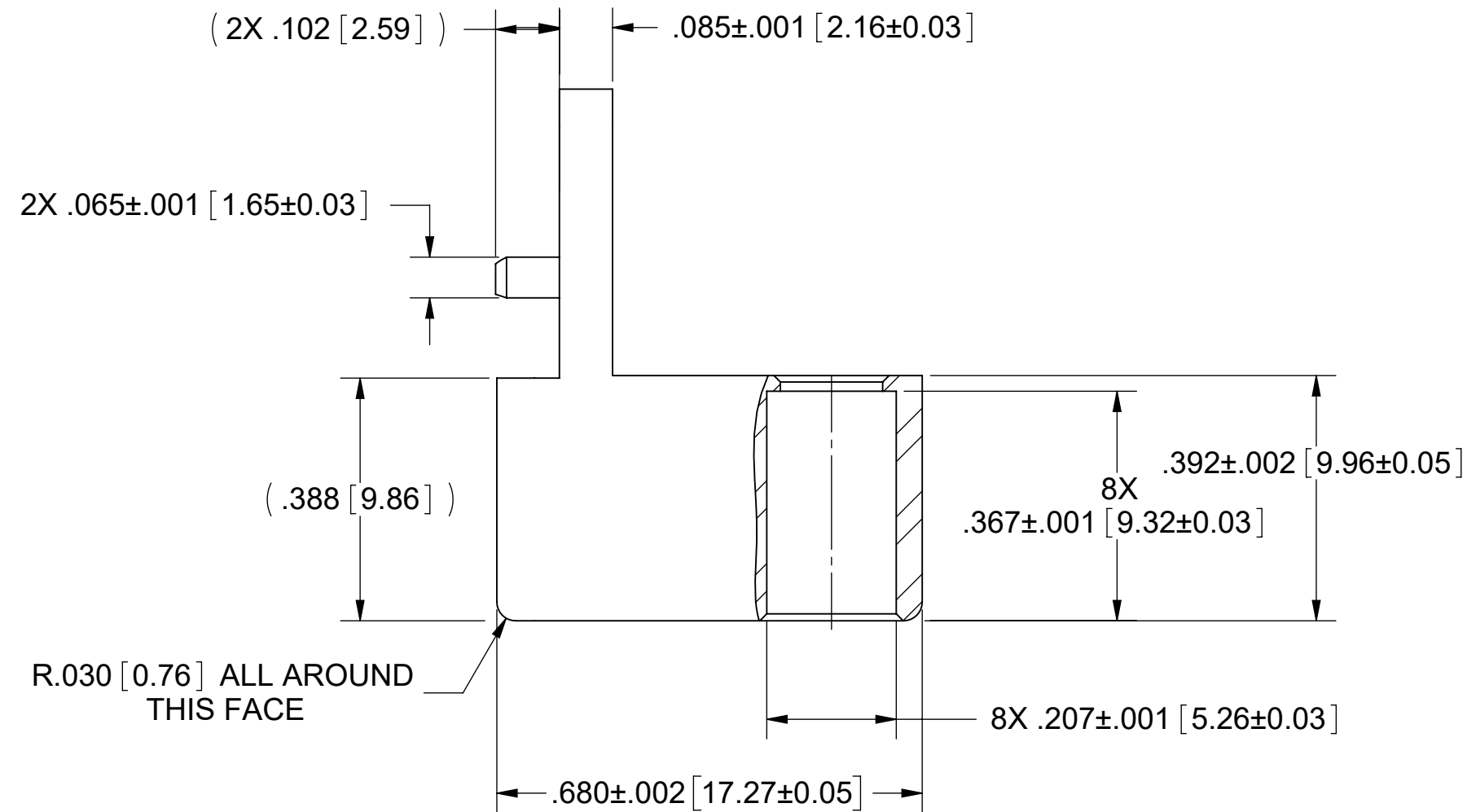
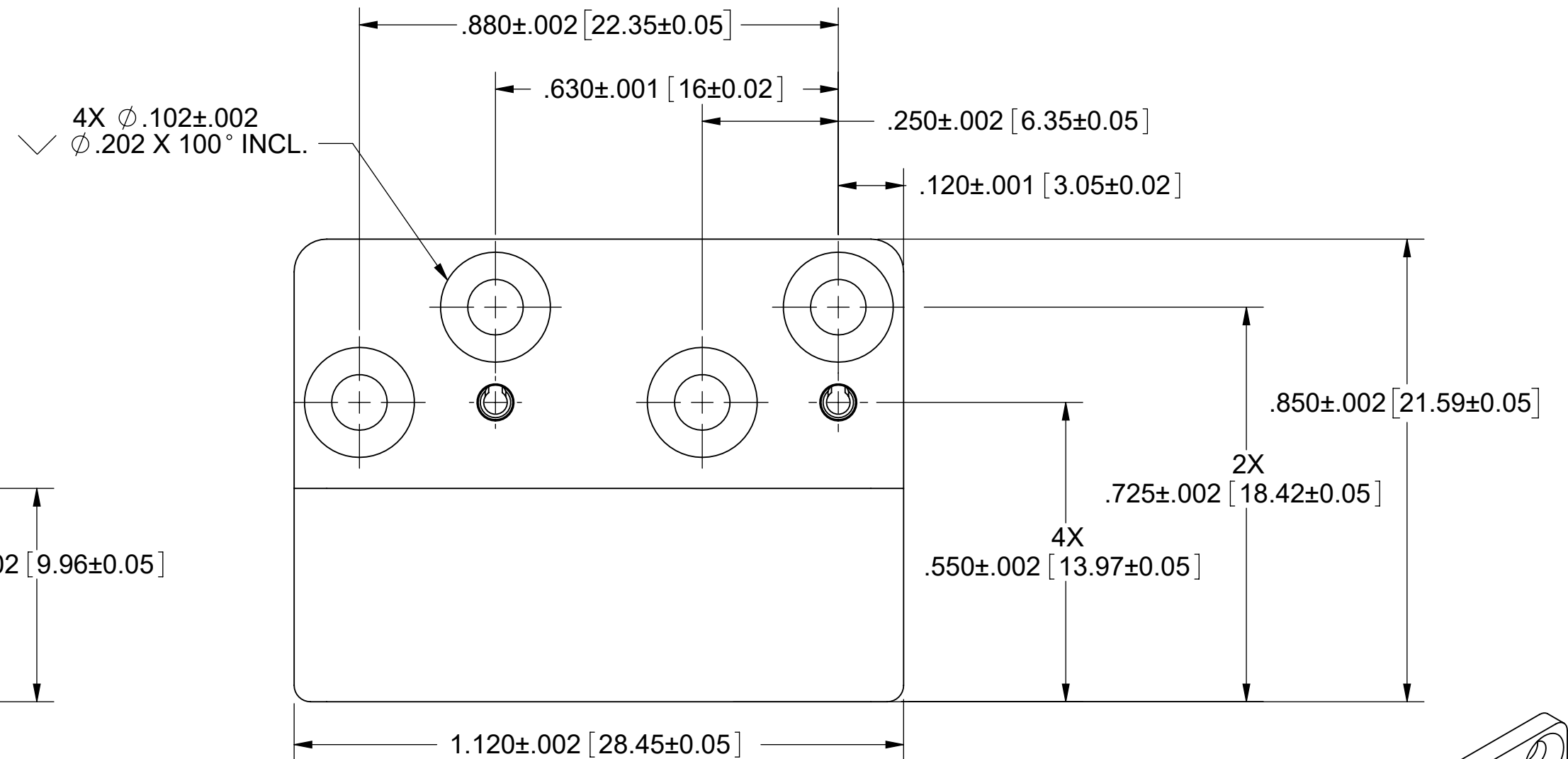
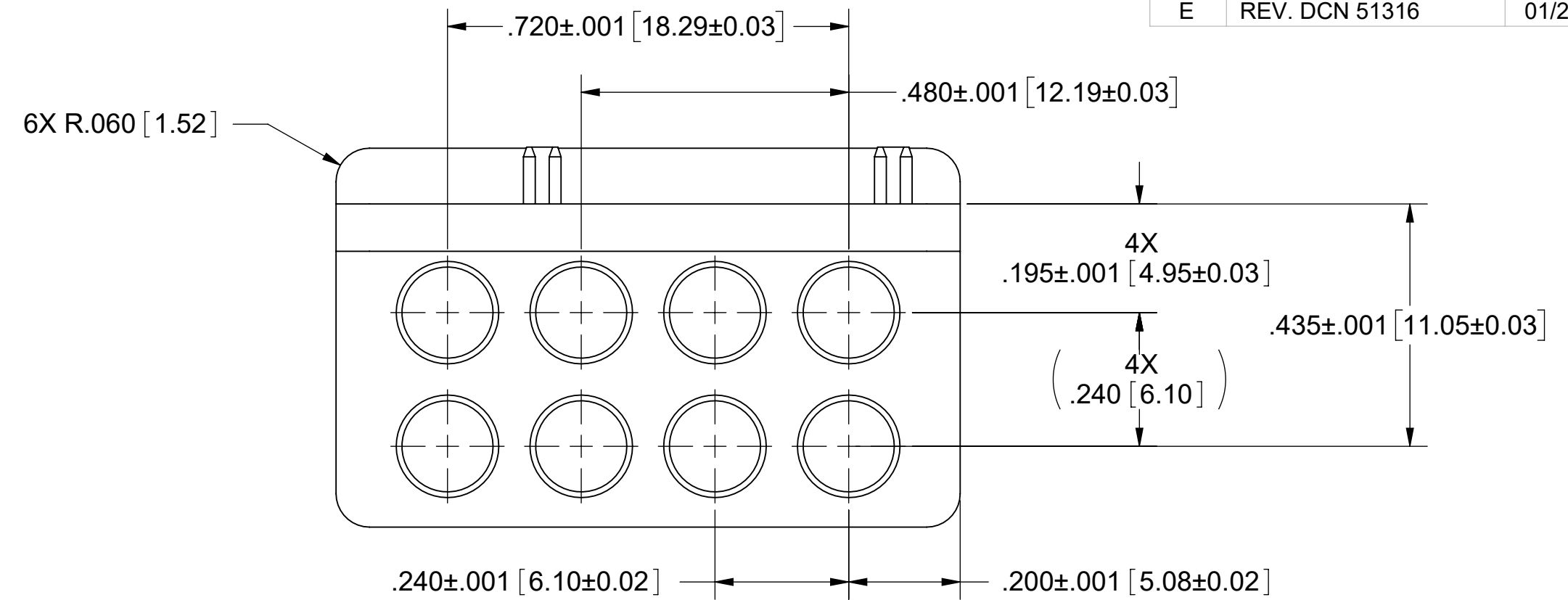


PRODUCT DATA DRAWING

REVISION HISTORY			
REV.	DESCRIPTION	DATE	APPROVED
D	DCN 48136	11/18	STW
E	REV. DCN 51316	01/22	STW



CAVITY IDENTIFICATION



MATERIAL:
MODULE: STAINLESS STEEL PER AMS 5640, ALLOY UNS S30300, TYPE 1 OR ASTM A582, TYPE 303, CONDITION A.
SPRING PINS: STAINLESS STEEL PER AMS 5506, UNS ALLOY No. S42000.
FINISH:
MODULE & SPRING PINS: PASSIVATED PER AMS 2700.

MATERIAL: SEE NOTES
FINISH: SEE NOTES

DO NOT SCALE DRAWING

PROPRIETARY

THE INFORMATION CONTAINED IN THIS DRAWING IS THE SOLE PROPERTY OF SV MICROWAVE, INC. ANY REPRODUCTION IN PART OR AS A WHOLE WITHOUT THE WRITTEN PERMISSION OF SV MICROWAVE, INC. IS PROHIBITED.

DIMENSIONS ARE IN INCHES

TOLERANCES:

ANGULAR: ±1°

ONE PLACE DECIMAL ±.030

TWO PLACE DECIMAL ±.010

THREE PLACE DECIMAL ±.005

INTERPRET DIMENSIONS AND TOLERANCES PER ASME Y14.5M - 1994

THIRD ANGLE PROJECTION



UNLESS OTHERWISE SPECIFIED:

1. ALL DIMENSIONS ARE AFTER PLATING.
2. BREAK CORNERS & EDGES R.005 MAX.
3. CHAMFER 1ST AND LAST THREAD.
4. SURFACE ROUGHNESS 63 PER MIL-STD-10.
5. DIA'S ON COMMON CENTERS TO BE CONCENTRIC WITHIN .005 T.I.R.
6. REMOVE ALL BURRS.

DRAWN: JMC 12/13/10
CHECKED: STW 02/07/11
APPROVED: STW 02/07/11
E.M. SIMULATION: N/A

SV Microwave, Inc.[®]

2400 Centrepark West Drive, Suite 100
 West Palm Beach, FL 33409

TITLE:
**VITA 67.2 PLUG-IN
 8 PORT MODULE**

SIZE: C **CAGE CODE:** 95077 **DWG. NO.:** SF9321-60013
SCALE: 4:1 **SHEET:** 1 OF 1