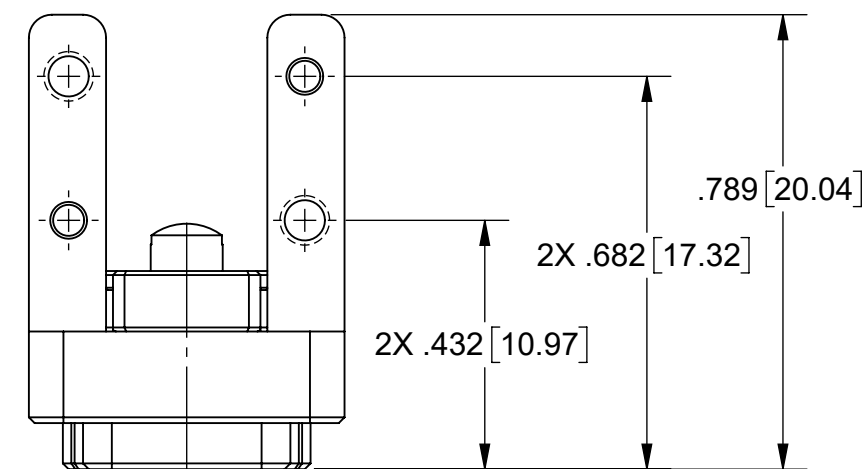
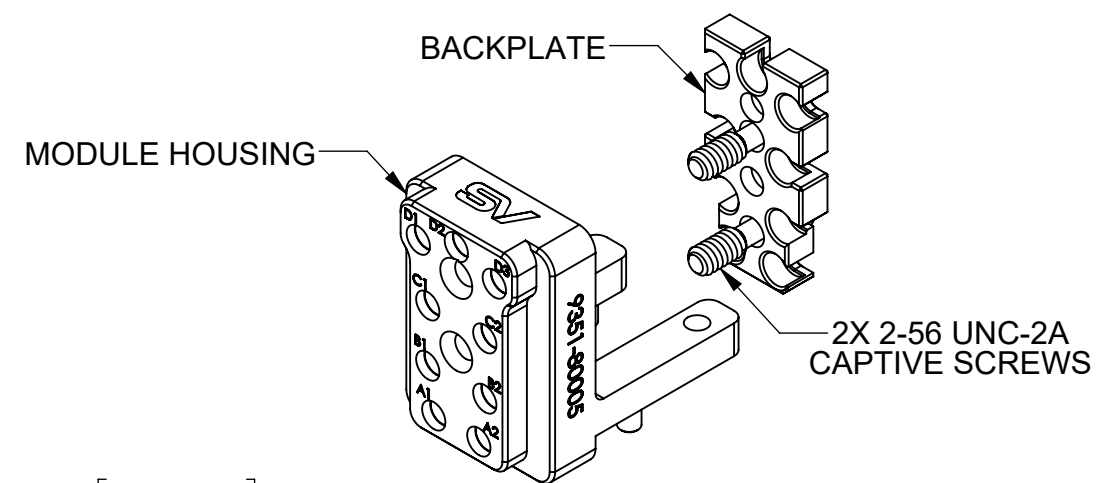
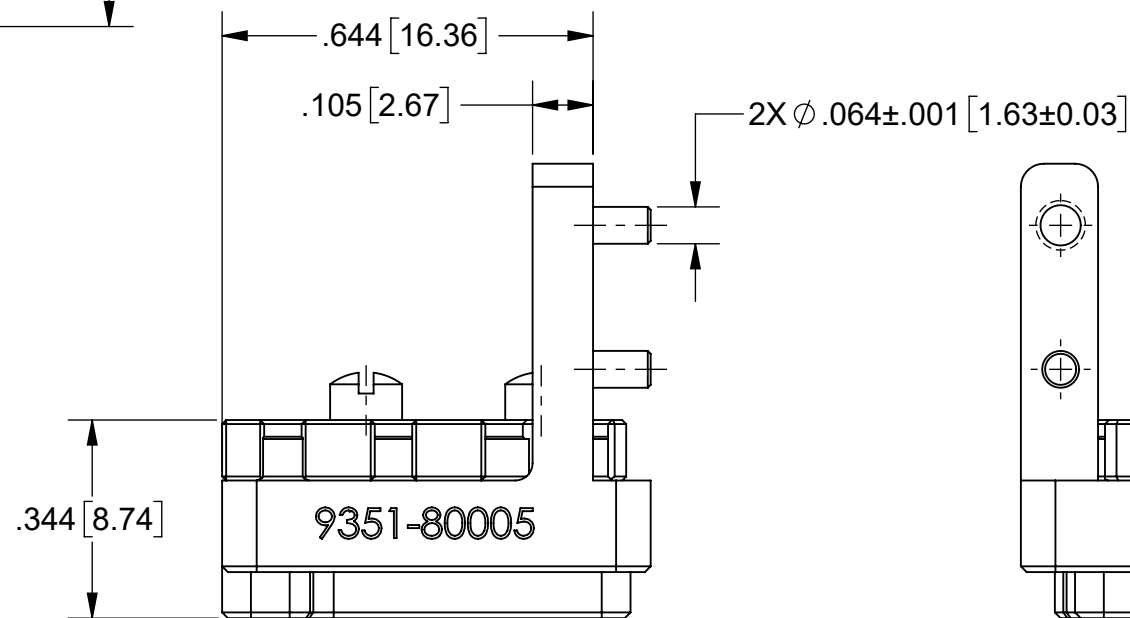
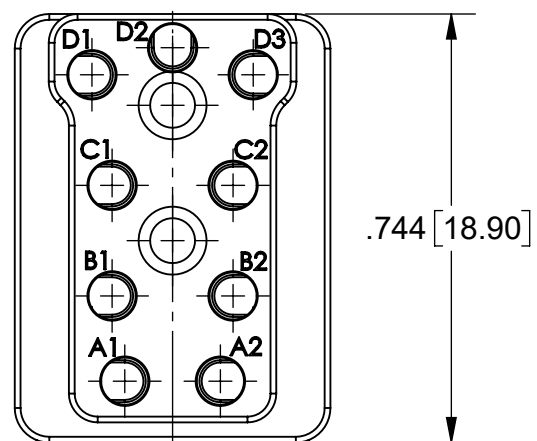
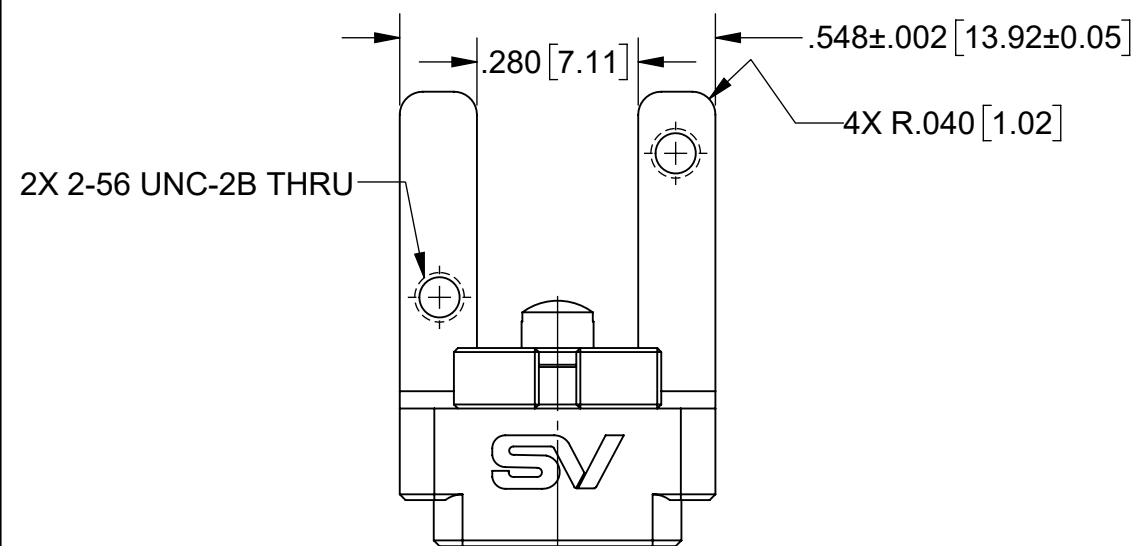
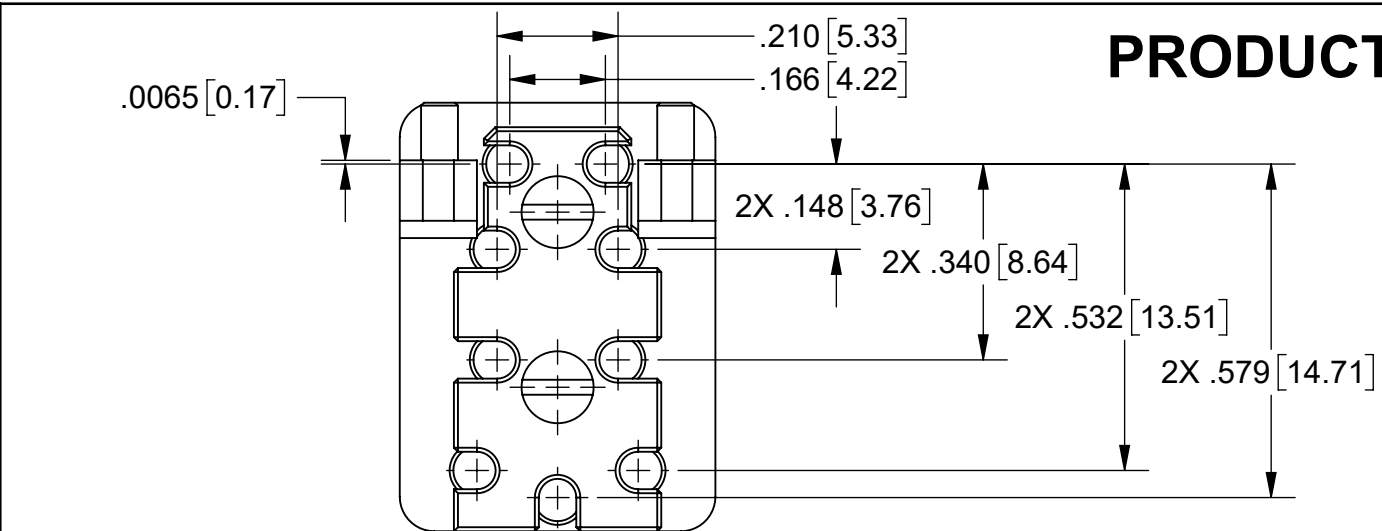


PRODUCT DATA DRAWING

REVISION HISTORY			
REV	DESCRIPTION	DATE	APPROVED
-	DCN 54449	5/24	SEE PDM



MATERIAL:

MODULE HOUSING & RF BACKPLATE:

ALUMINUM PER ASTM B211 ALLOY 6061-T6 OR AMS-QQ-A-200/8 ALLOY 6061-T6

CAPTIVE SCREWS:

STAINLESS STEEL

FINISH:

MODULE HOUSING & RF BACKPLATE:

CHEMICAL CONVERSION COATING PER MIL-DTL-5541, CLASS 3 COLOR CLEAR, TYPE II

CAPTIVE SCREWS:

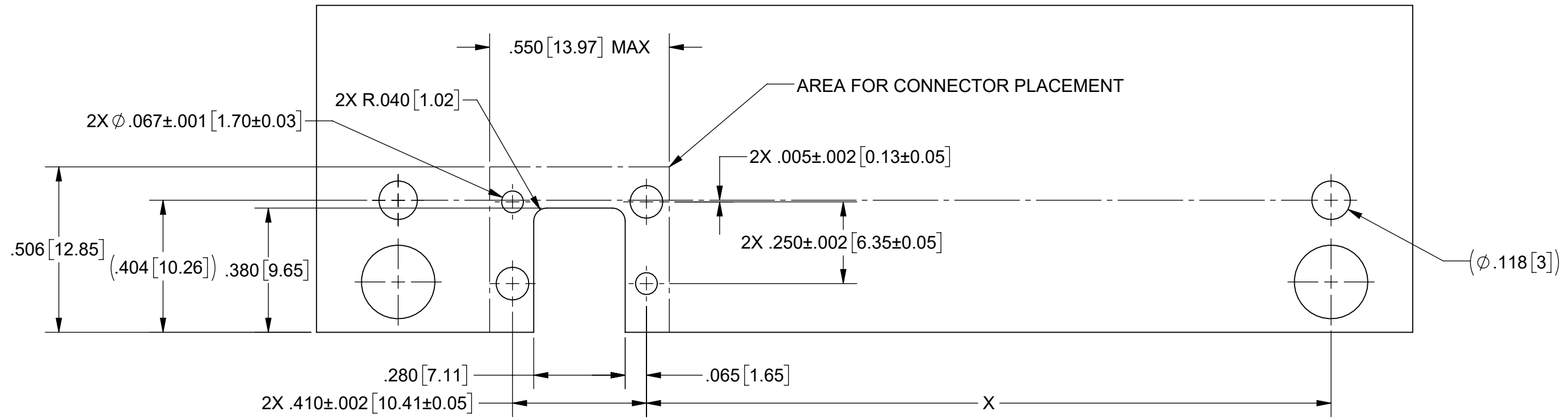
PASSIVATED

NOTES:


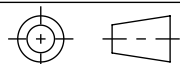
1. COMPLIANT TO VITA 66.5, VITA 65 SECTION 6.4.5.7.2 AND ALIGNED TO THE SOSA TECHNICAL STANDARD.
2. DESIGNED TO USE WITH NanoRF PLUG-IN CONTACTS FOR Ø.047 CABLE, SV P/N: 8351-40001 (TE P/N 2302339-1).
3. LICENSED EQUIVALENT TO TE P/N 2357976-2 AND CAN BE USED AS A DROP-IN REPLACEMENT.
4. MATES TO SV P/N 9341-80007.
5. PCB LAYOUT ON SHEET 2.

MATERIAL: SEE NOTES	DIMENSIONS ARE IN INCHES TOLERANCES: FRACTIONAL: ±1/64 ANGULAR: X° ±1'0" X'X' ±15'	UNLESS OTHERWISE SPECIFIED 1) ALL DIMENSIONS ARE IN INCHES (MILLIMETERS) 2) ALL DIMENSIONS ARE AFTER PLATING. 3) BREAK CORNERS & EDGES .005 R. MAX. 4) CHAM. 1ST & LAST THREADS. 5) SURFACE ROUGHNESS 63-MIL-STD-10. 6) DIA: 'S ON COMMON CENTERS TO BE CONCENTRIC WITHIN .005 T.I.R. 7) REMOVE ALL BURRS	 TITLE: NANORF PLUG-IN MODULE, 9 POS RF, FOR Ø.047 CABLE
FINISH: SEE NOTES	DECIMAL: X ±.030 .XX ±.010 .XXX ±.005	INTERPRET DIMENSIONS AND TOLERANCES PER ASME Y14.5M - 1994	
SURFACE AREA: N/A	THIRD ANGLE PROJECTION	DRAWN: JDT 5/21/24	SIZE DWG. NO. B 9351-80005
PROPRIETARY THE INFORMATION CONTAINED IN THIS DRAWING IS THE SOLE PROPERTY OF SV MICROWAVE, INC. ANY REPRODUCTION IN PART OR AS A WHOLE WITHOUT THE WRITTEN PERMISSION OF SV MICROWAVE, INC IS PROHIBITED.		CHECKED: SEE PDM	SCALE: 3:1
		APPROVED: SEE PDM	SHEET 1 OF 2

REVISION HISTORY			
REV	DESCRIPTION	DATE	APPROVED
-	DCN 54449	5/24	SEE PDM



POSITION	X DIMENSION
P2A	2.107 [53.52]
P2B	2.663 [67.64]
P3A	3.795 [96.39]
P3B	4.351 [110.51]
P4A	4.929 [125.19]
P4B	5.485 [139.31]
P5A	6.062 [153.99]
P5B	6.618 [168.11]
P6A	7.196 [182.79]
P6B	7.752 [196.91]

MATERIAL: SEE NOTES	DIMENSIONS ARE IN INCHES TOLERANCES: FRACTIONAL: ±1/64 ANGULAR: X° ±1'0" X'X' ±15'	UNLESS OTHERWISE SPECIFIED 1) ALL DIMENSIONS ARE IN INCHES (MILLIMETERS) 2) ALL DIMENSIONS ARE AFTER PLATING. 3) BREAK CORNERS & EDGES .005 R. MAX. 4) CHAM. 1ST & LAST THREADS. 5) SURFACE ROUGHNESS 63-MIL-STD-10. 6) DIA.'S ON COMMON CENTERS TO BE CONCENTRIC WITHIN .005 T.I.R. 7) REMOVE ALL BURRS	 www.svmicrowave.com TITLE: NANORF PLUG-IN MODULE, 9 POS RF, FOR Ø.047 CABLE
FINISH: SEE NOTES	DECIMAL: X ±.030 .XX ±.010 .XXX ±.005		
SURFACE AREA: N/A	INTERPRET DIMENSIONS AND TOLERANCES PER ASME Y14.5M - 1994	DRAWN: JDT 5/21/24	SIZE DWG. NO. B 9351-80005
PROPRIETARY THE INFORMATION CONTAINED IN THIS DRAWING IS THE SOLE PROPERTY OF SV MICROWAVE, INC. ANY REPRODUCTION IN PART OR AS A WHOLE WITHOUT THE WRITTEN PERMISSION OF SV MICROWAVE, INC IS PROHIBITED.	THIRD ANGLE PROJECTION 	CHECKED: SEE PDM	SCALE: 3:1
		APPROVED: SEE PDM	SHEET 2 OF 2