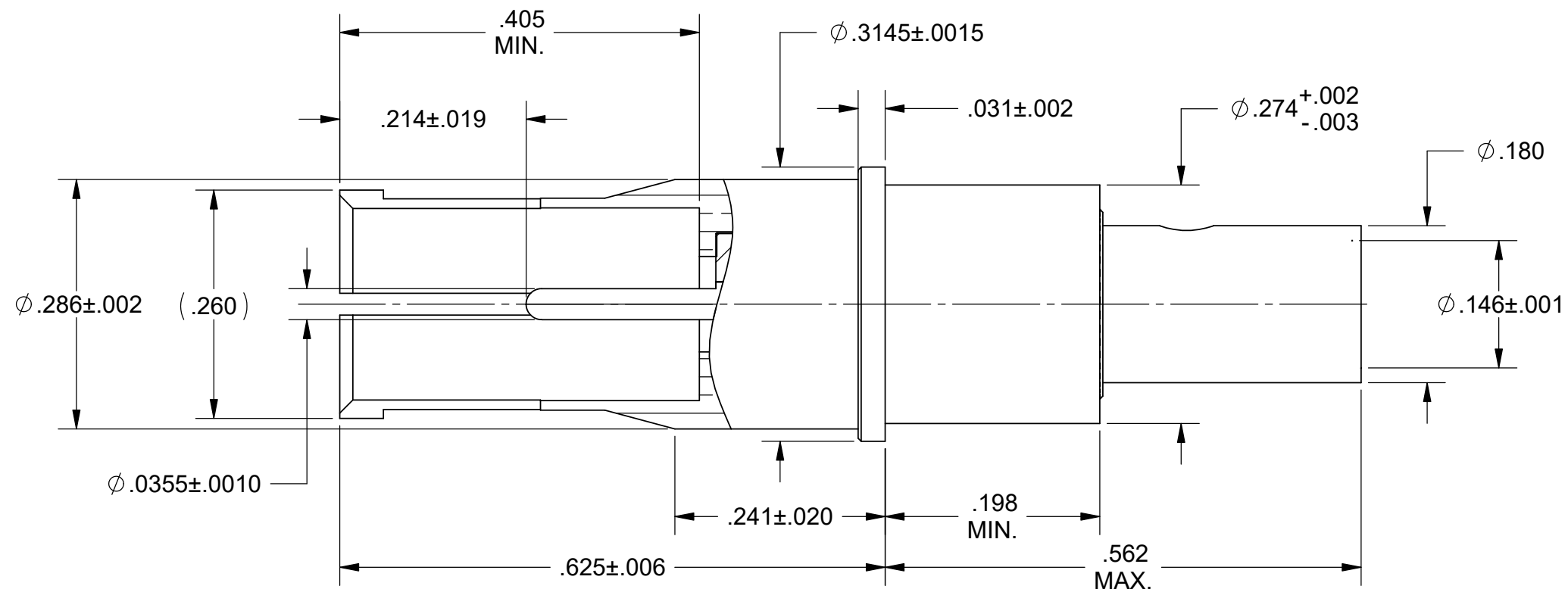


PRODUCT DATA DRAWING

REVISION HISTORY			
REV	DESCRIPTION	DATE	APPROVED
B	REV. DCN 32852	03/05	VMJ
C	REV. DCN 41974	12/16/15	FED
D	DCN 46783	8/17	DAL



MATERIALS:

INSULATORS: PTFE PER ASTM D1710, TYPE 1, GRADE 1, CLASS B.

BODIES & CONTACT: BERYLLIUM COPPER PER ASTM B196, ALLOY C17300, COND. TD04

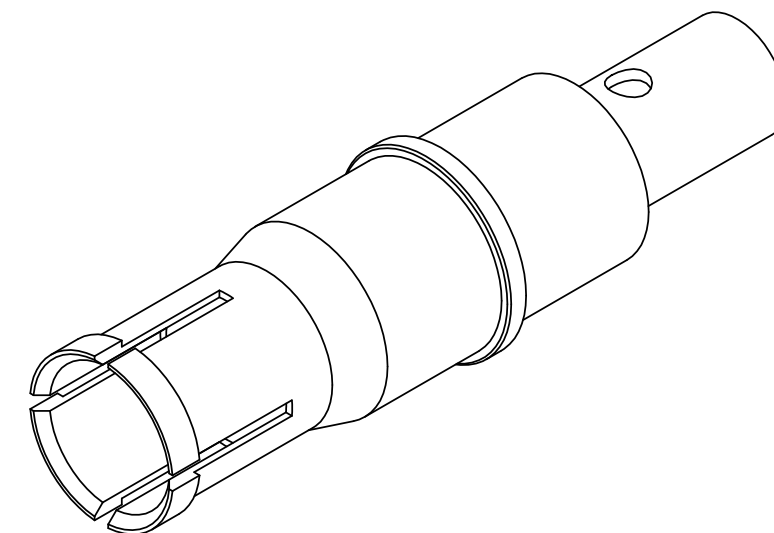
SHRINK TUBING: M23053/5-106-0

FINISHES:

BODIES & CONTACT: GOLD PER ASTM B488, TYPE II, GRADE C, CLASS 1.27 OVER NICKEL PER AMS-QQ-N-290 CLASS 1, .00005" MIN.

ELECTRICAL:

IMPEDANCE: 50 OHMS
 FREQ. RANGE: DC TO 3 GHz
 INSUL. RES.: 5,000 MEGOHMS MIN.
 D.W.V: 1,000 VRMS MIN.
 VSWR: 1.20 + .04 X F IN GHz
 INSERTION LOSS: .11 X SQUARE ROOT OF F(GHz)



REF. AS39029/59 & MIL-DTL-38999 SERIES III

MATERIAL: SEE ABOVE	DIMENSIONS ARE IN INCHES TOLERANCES: FRACTIONAL: ±1/64 ANGULAR: X° ±1'0" X"X' ±15'	UNLESS OTHERWISE SPECIFIED 1) ALL DIMENSIONS ARE AFTER PLATING. 2) BREAK CORNERS & EDGES .005 R. MAX. 3) CHAM. 1ST & LAST THREADS. 4) SURFACE ROUGHNESS 63 √ MIL-STD-10. 5) DIA.'S ON COMMON CENTERS TO BE CONCENTRIC WITHIN .005 T.I.R. 6) REMOVE ALL BURRS	
FINISH: SEE ABOVE	DECIMAL: X ±.030 .XX ±.010 .XXX ±.005	INTERPRET DIMENSIONS AND TOLERANCES PER ASME Y14.5M - 1994	
PROPRIETARY THE INFORMATION CONTAINED IN THIS DRAWING IS THE SOLE PROPERTY OF SV MICROWAVE, INC. ANY REPRODUCTION IN PART OR AS A WHOLE WITHOUT THE WRITTEN PERMISSION OF SV MICROWAVE, INC IS PROHIBITED.	THIRD ANGLE PROJECTION	DRAWN: VMJ 11/30/04	TITLE: SIZE 8 SOCKET FOR T-FLEX 402 CABLE
		CHECKED: JMC 11/30/04	SIZE DWG. NO. B 8001-4103
		APPROVED: JMC 11/30/04	E.M. SIMULATION: N/A